

Cyclone Ramp

Manual

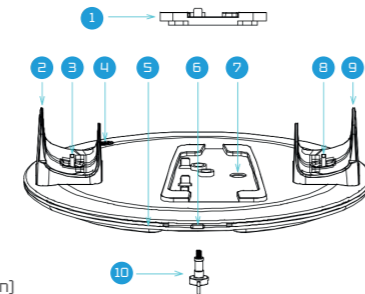
USER MANUAL

CYCLONERAMP

CHARGING STAND FOR
PSS PRO/SLIM



Appearance



- ①: Accessories of PSS console (old version)
- ②: Controller charging and Full charged indicator of CH2
- ③: Magnetic Type-C adapter contact slot + magnetic Type-C adapter of CH2
- ④: Light button
- ⑤: Ambient light group
- ⑥: TYPE-C input port of power and data
- ⑦: Storage For PSS console screw caps
- ⑧: Magnetic Type-C adapter contact slot + magnetic Type-C adapter of CH1
- ⑨: Controller charging and Full charged indicator of CH1
- ⑩: Hand-tighten screws

Platform Compatibility

PSS Digital Edition and Disc Version (PSS and PSS Slim), DualSense, and PSS DualSense Edge controller

Electrical Parameters

TYPE-C Port Input: DC 5V/2A(MAX)
PSS Controller Charging Current: 0.5Ax2
Output Voltage of Magnetic Type-C Adapter Contact Slot: DC 5Vx2
Time to Fully Charge a Single PSS DualSense Controller: 4 hours
Time to Fully Charge a Single PSS DualSense Edge Controller: 3 hours
Power Supply Method: USB A Port on the back of the PSS console. 5V/2A AC Adapter (USB-A Port Output)
Material: ABS
Dimensions: Diameter: 215mm, Height: 50mm.

Controller Charging Status Indicator

- Charging: Solid red light.
- Fully Charged: Solid blue light.
- Not Charging: Indicator light turned off.

Indicator Lights of Stand

- Overcurrent: All red lights Flashing.
- Overvoltage, Undervoltage: All red lights Flashing.
- Short Circuit: All lights Flashing red.

Function

Light Button:

Long press for 3s	Long press for 3s again
Light group OFF	Light group ON

Ambient Lighting

Short press of the button
Red → Blue → Green → Yellow → Pink
→ White → Breathing Rainbow Light.

TYPE-C Power Input Port:

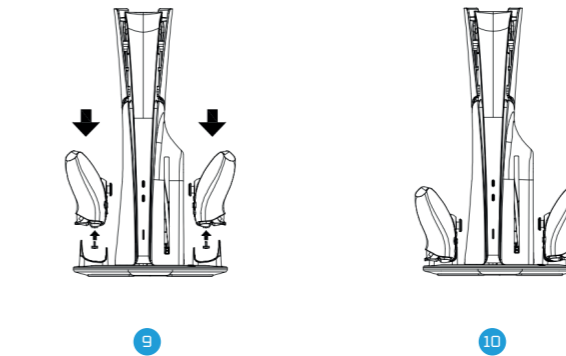
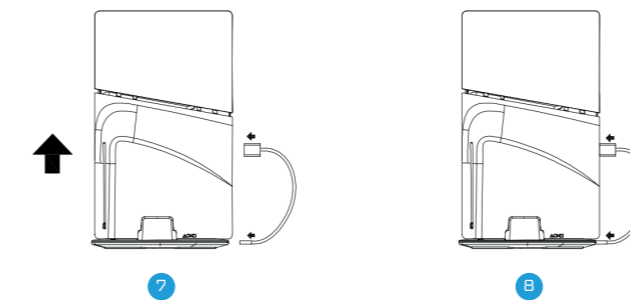
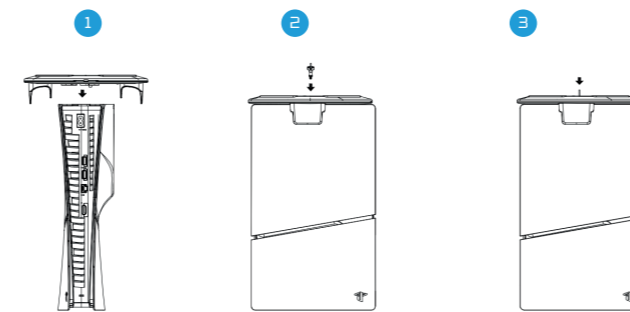
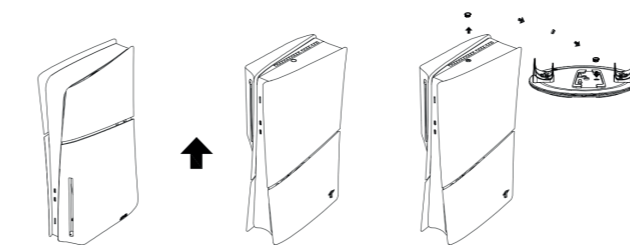
- Use the USB A male cable provided with the stand to connect to the USB A port on the back of the PSS console, and use this power cable to supply power to the stand.

User Instructions

- During charging, ensure ventilation and do not cover the console exhaust port with clothing, plastic bags, or other items.
- Do not use the product in damp or high-temperature environments.
- Do not modify or disassemble the product.
- If dirt appears on the pins of the charging slots on the stand after prolonged use, clean the contact pins with a cloth to ensure proper charging contact.
- When the product is powered on, the lights will start working, starting from the last color before the shutdown or power loss.

Assembly Diagram

【PSS Slim(It is same of both disc and digital edition)】



【PSS(It is same of both disc and digital edition)】

